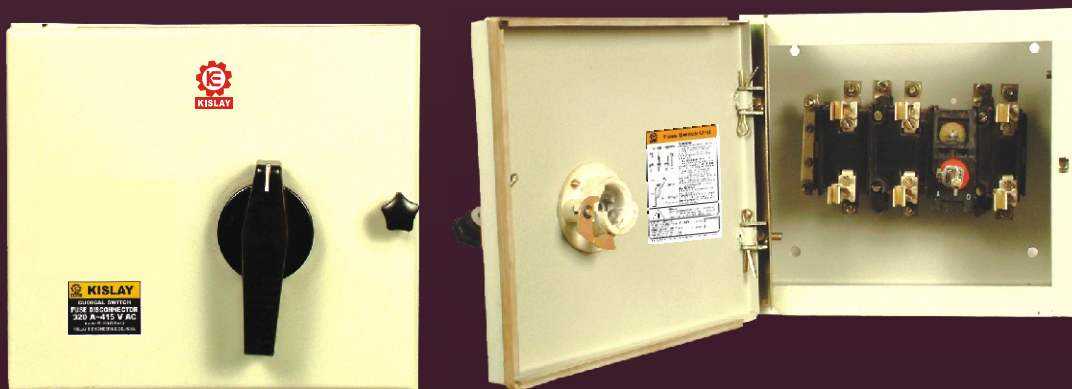


# Cubical Switch Disconnect Fuse & Fuse Switch Unit



An ISO 9001 Certified Company



KISLAY & ENGINEERING CO.

63A to 800A, 415V

• ELECTRICAL • ELECTRONICS • MECHANICAL • SAFETY

## SALIENT FEATURES

- The Switches are available with phase Fuse Indicator on demand which is first time in India.
- These switches are available in the triple pole version with neutral and four pole version.
- Double break isolation enables in-coming supply to be connected to either bottom or top terminals.
- All units are fitted with Toggle mechanism incorporating operating springs wherein energy is stored prior to switching action on a high speed.
- Adequate sized silver plated terminals, suitable for copper/aluminum cable/bus-bar termination, are provided with terminal cover shrouds to prevent any accidental contact with live parts.
- The switches are provided with door interlock to ensure that the switch can not be opened in 'ON'- condition.
- The enclosure are surface-mounted, made of thick guage CRCA sheet, rust protected, phosphatized with seven tank cleaning system and powder coated for long life.
- All enclosures are fitted with removable top and bottom end plates with adequately sized knockouts for cable entry & exit.
- Electrical contacts are made of electrolytic grade copper. Silver plated for better contact and greater resistance to corrosion. Specially designed female contacts ensure low contact resistance and better arc-control.
- KISLAY fuse switches are designed for use with HRC cartridge fuse links conforming to IS : 13703-93

## RANGE

63A to 800A, 415V, in TPN and FP version with or without HRC fuses.

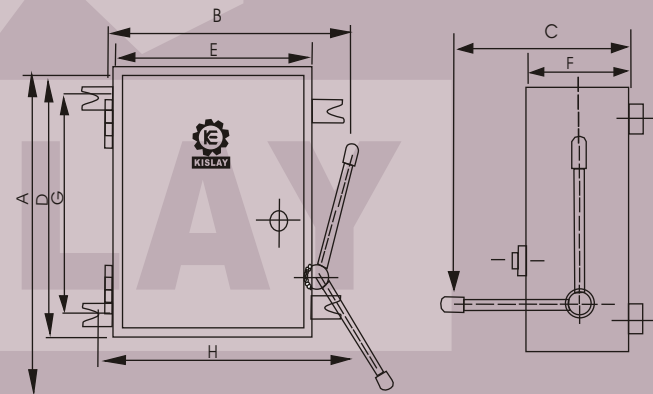
### KISLAY FUSE SWITCHES

Three Phase and Neutral, 415v, 50Hz.

Rating Thermal Current	AC-22A Isolating Switch	AC-22A Fuse switch Rating	Suggested Fuse type	AC-23 motor switch rating	Performance operation cycles without load	Capability AC-23B operation cycles with load	Total
63A	80A	63A	TSS	28KW	1700	300	2000
100A	125A	100A	TSD	40KW	1700	300	2000
200A	250A	200A	TSF	90KW	1400	200	1600
320A	400A	320A	TSK	150KW	1400	200	1600
400A	500A	400A	TSMS/TTS	185KW	800	200	1000
500A	630A	500A	TTS	225KW	800	200	1000
750A	800A	630A	TTS/TTM	300KW	500	100	600

## DIMENSIONAL DETAILS

Switch Capacity	Dimensional							
	A	B	C	D	E	F	G	H
63A-415V	305	355	300	295	270	223	260	305
100A-415V	305	355	300	295	270	223	260	305
200A-415V	390	400	365	355	330	288	310	360
320A-415V	390	400	365	355	330	288	310	360
400A-415V	470	625	465	350	445	340	295	505
500A-415V	470	625	465	350	445	340	295	505
630A-415V	410	725	445	405	620	400	330	650
800A-415V	410	725	445	405	620	400	330	650



Our business associates :



## KISLAY & ENGINEERING CO

160, PATPARGANJ VILLAGE, DELHI-110091

Ph. : 22794520, 22758755, Fax: 011-22756410

E-mail : keco1990@hotmail.com, keco1990@yahoo.co.in



ZENER

Zener Electric Pty. Ltd., Australia